

SoundWare

High Performance Indoor / Outdoor Speaker

For great sound anywhere

Español

Gran sonido en cualquier lugar
Altavoz para interior/exterior

Italiano

Suono eccellente ovunque
Impianto di altoparlanti per
interni ed esterni

Deutsch

Überall ein Riesensound
Innen-/Außenlautsprecher

Français

Un son sublime à tout endroit
Haut-parleur d'intérieur/extérieur

Svensk

Perfekt ljud överallt
Inom- och utomhushögtalare

Description

The Boston Acoustics® SoundWare is truly a go everywhere, do everything speaker. All of its parts are weather resistant so they're at home indoors and out, in situations from outdoor entertainment to home theater. Compact size and a flexible mounting system give you many options for installation locations. You can just set them on a shelf or use the supplied brackets and mount them in a corner or on a flat wall. The pivoting mounts let you tilt and swivel the speakers to suit the installation. If one of the available colors doesn't work in your décor, then SoundWare can be painted in a matching or complementary color. *SoundWare – Great Sound Anywhere.*

Specifications

Frequency Response	90Hz-20kHz (± 3 dB)
Recommended Amp Power	15 – 100 watts
Nominal Impedance	8 ohms
Sensitivity	87dB
Woofer	4½" (114mm) Driver
Tweeter	¾" (20mm) dome
Crossover Frequency	3.5kHz
Net Weight	4.9 lbs (2.22kg)
Dimensions (H x W x D)	6½ x 6½ x 6½" (157 x 157 x 167mm)

Placement Options

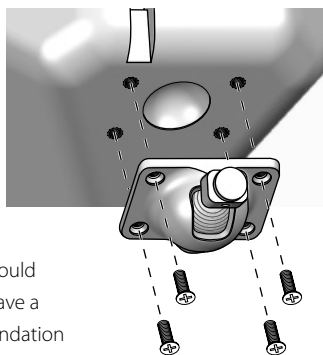
The SoundWare speaker can be wall mounted using the supplied hardware or simply placed on a shelf. If it is being placed on a shelf you can simply attach the adhesive-backed rubber feet and connect the speaker wires.

Attaching the Pivoting Ball Mount

If you plan to use the mounting brackets you must attach the pivoting ball mount to the speaker. Use the four supplied flat-head machine screws as shown in the illustration.

Mounting the Wall Bracket

Brackets for mounting the speakers on a flat wall or in a corner are supplied. One thing that is not supplied is hardware to attach the bracket to the wall. Why? Because there are so many different kinds of surfaces on which the speakers could be mounted. It could be basic drywall which may or may not have a stud behind it. It could be a wood panel or even a concrete foundation wall. There is no one type of fastener that we could supply that would work in all the possible situations. So taking into account the surface the speaker is being mounted on, acquire the appropriate type of fasteners. You'll need four for each speaker. If you're not sure what type of fastener to use, take the mounting bracket to a friendly hardware store, tell them about the wall you're mounting the speaker on, and ask them to recommend an appropriate fastener. Keep in mind the weight of the speaker.



Speaker Wires

For short runs of less than 20 feet or so you can use 16 gauge wire. But typically you should use heavier 14 gauge wire. That is good enough for runs up to 50 feet or so. For runs of more than 50 feet use 12 gauge wire.

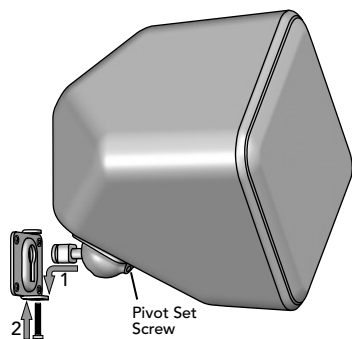
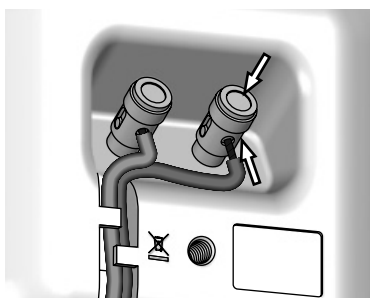
Speaker Connection Polarity

All the speakers in a system must be hooked up with the same polarity or "in phase." The terminals on the SoundWare speakers are color coded to identify the "+" (red) and "-" (black) connections. All wire is marked in some way so you can tell one conductor from the other. The marking may be a ridge molded into the insulation of one conductor, or it may have a stripe on the insulation, or it may be color coded. Use the marking on the speaker wires to be sure that the "+" terminal of the amplifier is connected to the "+" terminal of the speaker, and "-" is connected to "-", at every connection.

Connecting the Speakers

Separate the two conductors of the wire. Remove about 3/8" of insulation from the end of the wire. Push down on the top of the terminal to open the hole for the wire. Insert the wire and release the terminal to secure it. Be sure there are no loose strands of wire.

Note: there is a channel in the back of the speaker for the wire, to keep it neat and out of sight.

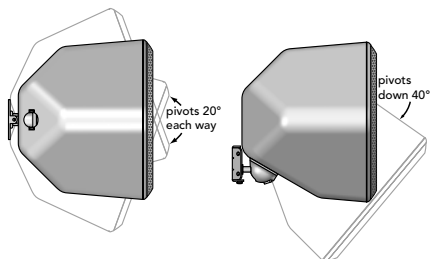


Mounting the Speakers

Once you have the bracket mounted and the speaker connected the rest is easy.

- 1 Put the rounded end of the speaker mount in the bracket and slide it down to lock it in place.
- 2 Optional – Insert and tighten the screw to secure everything.

The SoundWare speakers pivot on their mounts. Vertically they can go from facing straight out to being tilted down 40 degrees. When the flat wall mounting bracket is used they can pivot side to side 20 degrees. (Note: Corner mounting will not allow the speaker to pivot side-to-side.) Loosen the pivot set screw on the front of the pivoting ball mount, pivot the speaker into position and retighten the screw.



Limited Warranty

Boston Acoustics warrants to the original purchaser of our SoundWare loudspeakers that they will be free of defects in materials and workmanship for a period of 5 years from the date of purchase.

Your responsibilities are to install and use them according to the instructions supplied, to provide safe and secure transportation to an authorized Boston Acoustics service representative, and to present proof of purchase in the form of your sales slip when requesting service.

Excluded from this warranty is damage that results from abuse, misuse, improper installation, accidents, shipping, or repairs/modifications by anyone other than an authorized Boston Acoustics service representative.

This warranty is limited to the Boston Acoustics product and does not cover damage to any associated equipment. This warranty does not cover the cost of removal or reinstallation. This warranty is void if the serial number has been removed or defaced. This warranty gives you specific legal rights, and you may also have other rights which vary from state to state.

If Service Seems Necessary

First, contact the dealer from whom you purchased the product. If that is not possible, write to:

Boston Acoustics, Inc.
300 Jubilee Drive
Peabody, MA 01960 USA

Or contact us via e-mail at:
support@bostona.com

We will promptly advise you of what action to take. If it is necessary to return your SoundWare speaker to the factory, please ship it prepaid. After it has been repaired, we will return it freight prepaid in the United States and Canada.



This symbol found on the product indicates that the product must not be disposed of with household waste. Instead, it may be placed in a separate collection facility for electronic waste or returned to a retailer when purchasing similar product. The producer paid to recycle this product. Doing this contributes to reuse and recycling, minimizes adverse effects on the environment and human health and avoids any fines for incorrect disposal.